

20V Pole Hedge Trimmer



**RATED
POWER**
20V

**BATTERY
TYPE**
Lithium-ion

CHARGE TIME
1-hour approx.

**NO-LOAD
SPEED**
1200/min

EN USER INSTRUCTION & OPERATION MANUAL
ES MANUAL DE INSTRUCCIONES Y OPERACIONES PARA EL
USUARIO
DE BENUTZERANLEITUNG & BETRIEBSANLEITUNG
FR MANUEL D'UTILISATION ET D'UTILISATION
IT ISTRUZIONI PER L'USO E MANUALE OPERATIVO

EN

Thank you for purchasing this NETTA product.

Please read the user manual carefully before operating this appliance.

We will update our instruction manuals if necessary.

For the most up-to-date user manual, please visit our official website:
www.nettdirect.com.

You can download a copy of up to date user manuals at any time in electronic format. We do not supply you with a paper-based user manual after each revision.

Require a larger version of this Instruction Manual?

Please download electronically from
our website and use PDF reader on
your device to enlarge the text if
needed.

www.nettdirect.com

SAFETY & WARNINGS

INTENDED USE

NETTA Design is for domestic and indoor use only. This product is not intended for use by people who have lack of experience and knowledge or have reduced ability, or sensory and metal capabilities. Keep supervised when groups of people use this item.

REGULAR CHECKUPS

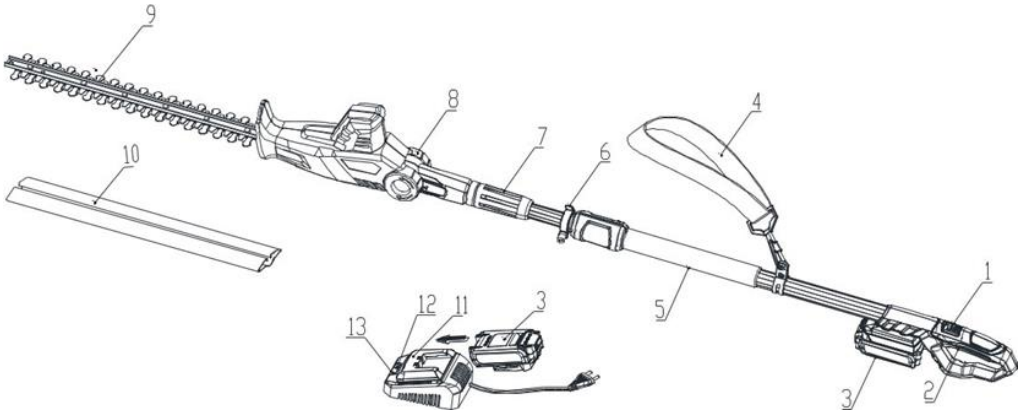
- Check cables every time before plugging into a socket, make sure power cables are not burst or snapped and that the power-plug has no damage.
- Check all the knobs are functioning correctly.

GENERAL CAUTIONS

- Always follow this instruction manual and go through all the safety checks.
- This is not toy - do not let children play with it.
- **DO NOT** modify this product in any way.
- Keep work areas clean and well lit.
- Do not operate tools in explosive atmospheres.
- Before using an electric powered appliance, check the rating label and voltage information on this manual, or the rating label on back of the machine.
- Always connect the device to a socket with Residual Current Device (RCD) fitted with your home circuits.
- If you are unsure, please seek a certified election for advice.
- The appliance must not be immersed in liquid.
- Do not use power tools in wet or damp conditions.
- Do not overload your power tools. Match each tool to the task.
- Do not use any power tool if the on/off switch is damaged.
- Check that the moving parts of your tool operate smoothly and are not cracked or damaged.

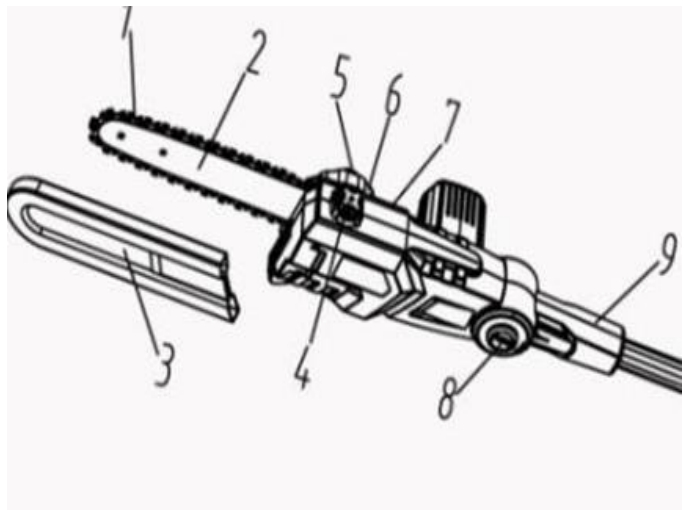
RISK OF PERSONAL INJURY

- DO NOT use the appliance other than for the intended use.
- Use personal protective equipment. Always use eye protection.
- Use ear protection.
- Do not wrap the device in a cloth or other material to suppress noise. This will hinder the proper ventilation of the device. This could ignite a fire and cause burns.
- Wear soft gloves when using this tool to prevent discomfort.
- Hold the power tool firmly to reduce the vibration levels.
- Ensure the switch is in the off position before connecting to a power source, picking up or carrying the tool.
- Remove any adjusting keys or wrenches before turning the tool on.
- Do not overreach. Keep proper balance at all times.
- Do not wear loose clothing or jewellery.
- Take a break if you feel vibration-related discomfort.
- DO NOT operate any appliance with a damaged cord or plug or after the appliance malfunctions or is dropped or damaged in any manner. Return appliance to the nearest authorized service facility for examination, repair or electrical or mechanical adjustment.
- If the supply cord is damaged it must be replaced by the manufacturer or an authorized service agent or a qualified technician in order to avoid a hazard.
- The use of accessories is not recommended by the manufacturer as they may cause injuries to persons.
- Do not let the cord hang over the edge of a table or counter or touch a hot surface.
- Do not place on or near a hot gas or electric burner or in a heated oven.
- Unplug from outlet when not in use and before cleaning.



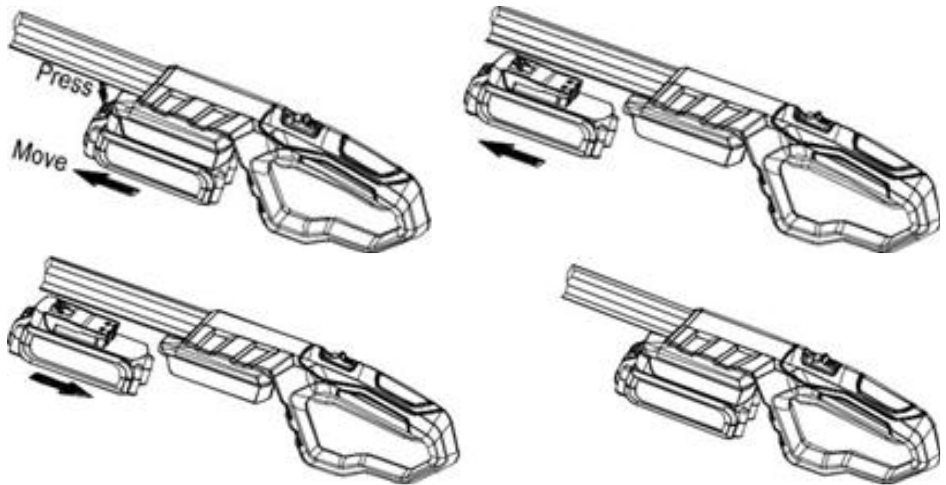
- 1. Lock-off Button 2. Main Switch Handle 3. Battery Pack
- 4. Strap Guard 5. Sponge 6. Locker 7. Lock Nut
- 8. Lock Button 9. Blade 10. Blade Sheath 11. Switch Trigger
- 12. Battery Pack 13. Battery Charger

- 1. Saw Chain
- 2. Guide Bar
- 3. Scabbard
- 4. Cap
- 5. Tension Wheel
- 6. Adjusting Wheel
- 7. Sprocket Cover
- 8. Button
- 9. Connecting Rod

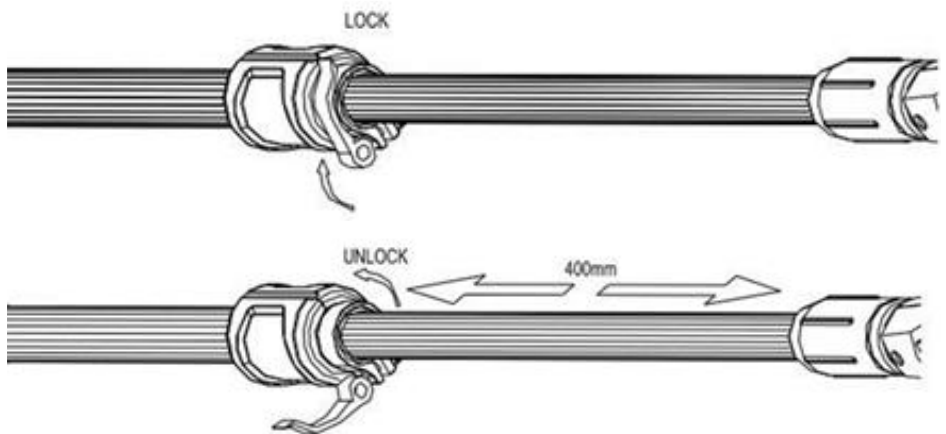


OPERATING THE PRODUCT

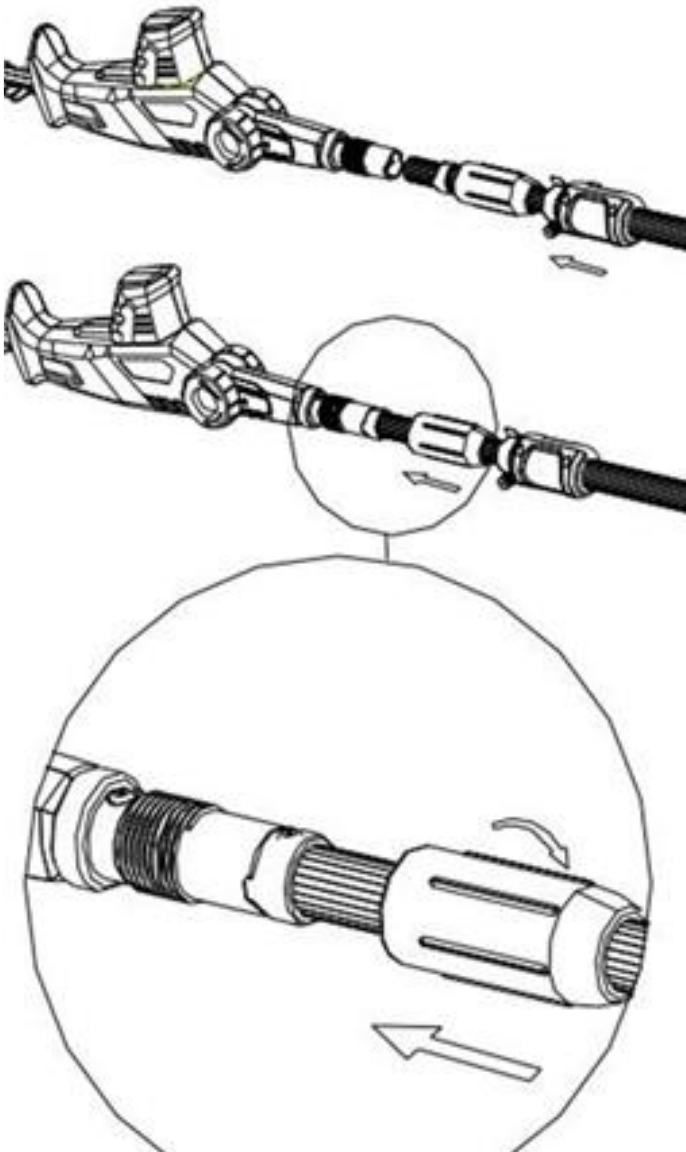
Removing or Installing Battery Pack



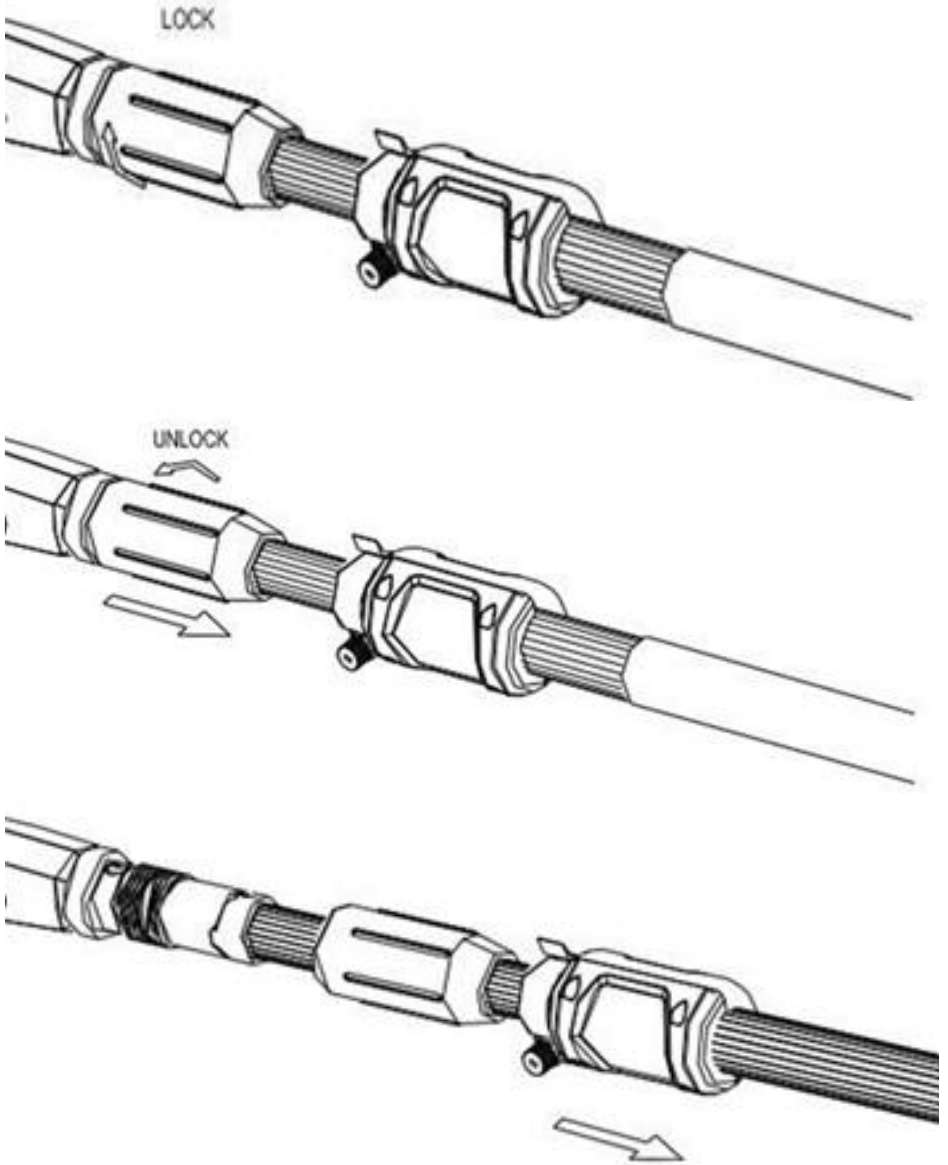
Extending the Pole



Extending the Pole



Extending the Pole



Proper Use

This tool has been designed for cutting lawns, small areas of grass, bushes, and small hedges in private gardens.

This tool is not suitable for use in public facilities, parks, sports centres, along roads, on farms or in the forestry sector.

Initial Operation

- Insert battery pack into the bottom of the handle (until click)
- Remove the battery pack by pressing the release buttons on the battery pack at the same time by pulling the battery pack out.

To Change the Battery

- Remove the battery pack from the tool.
- Check that your mains voltage is the same as marked on the rating plate of the battery charger.
- Insert the charger pole to the battery charging hole.
- Connect the charger plug to the house socket.
- The temperature of the battery may rise slightly during the charging operation. This is normal.
- Timely recharging of the NC battery will help it serve you well for a long time. Recharging is always necessary when you notice a drop in the tool's performance.
- Never allow the battery to become fully discharged as this may result in a defective battery.
- Only use the battery charger in dry rooms.

Adjusting the Cutting Length

- Lift the knob on the coupler
- Pull the lower shaft until it is in a comfortable position.
- Tighten the knob securely.
- If the button does not release completely in the positioning hole, the shafts are not locked into place. Slightly rotate from side to side until the button is locked into place.
- Be certain the knob is fully tightened before operating equipment, check it periodically for tightness during use to avoid serious personal injury.

Starting and Stopping the Pruner

- To start the tool, press the lock button and press the trigger. Release the lock button once the motor has started.
- To stop the pruner, release the trigger.
- To remove the battery, push the battery lock button.

FAULT	CAUSE	TROUBLE-SHOOTING
The pruner runs but is not cutting	The chain is fitted in reverse on the guide bar	Refer to the assembly of guide bar and chain
The pruner will cut only if the speed is high, result is only chips with several larger parts	The chain is blunt	Refer to the saw chain sharpening
The motor runs but the chain will not	Faulty sprocket wheel.	Contact support@nettadirect.com
No oil is supplied to the change	<ol style="list-style-type: none"> 1. Guide bar oil tank plugged 2. Oil too thick 	<ol style="list-style-type: none"> 1. Remove the guide bar and clean the oil tank 2. Use the right oil
The chain gets loose from the guide bar	<ol style="list-style-type: none"> 1. Chain Slackened 2. Guide bar and chain misassembled 	<ol style="list-style-type: none"> 1. Tighten the chain. See chain tension set-up 2. See guide bar and chain installation.
The unit is smoking	The unit is faulty. Do not use it.	Contact support@nettadirect.com
Oil leaking from the unit	Oil tank cover not closed	Tighten the oil tank cover. Empty the oil tank while the unit is out of use.

SPARE PARTS/REPAIR

We hope our products will last as long as possible to reduce the build-up of electrical waste in the world.

If any consumable parts need replacing, please check our website for stock availability and purchase.

If our website does not have the parts listed, but you still need consumable parts, please contact our customer support to check availability and process your order.

To order replacement parts, please go to www.nettadirect.com/parts.

You will need PDC information from your product, user manual or carton box. Alternatively, go to our website and use search bar to find the parts available. You can also find this code on the [back of this User Manual](#).

For our Repair Service, please contact our customer support with email on support@nettadirect.com they will provide with more details of repair service with NETTA.

DISPOSAL OF PRODUCT

IMPORTANT INFORMATION FOR CORRECT DISPOSAL OF THE PRODUCT IN ACCORDANCE WITH EC DIRECTIVE 2002/96/EC.

DISPOSAL:

Please dispose of this product responsibly. This item cannot be disposed of with general waste. Please contact your local council authority for more information on how to dispose this product. If this product is disposed of with general waste, it will end up in a landfill and will leak hazardous substances into the groundwater – effecting our food chain.



YOUR WARRANTY

If you purchased with NETTADIRECT, or one of our authorised resellers, you will automatically enrol your warranty for 1 (ONE) year. You do not need to register again for your warranty. All warranties will be carry out our terms and conditions include warranty conditions you will find out from our website at www.nettadirect.com.

PLEASE NOTE: Consumable parts will not be covered by warranty. If a consumable part needs replacing, you need purchase separately from our website.

Please quote with your original proof of purchase (invoice) and name or delivery address, postcode, so we can locate you when you contact us for warranty.

NOTES:

You may need fill following details after your purchase.

I purchased this product with _____
(Name of Authorised Reseller/Distributor)

Purchase Date: ____/____/____

The order number from Authorised Reseller is:

Initial order delivery address is:

COPYRIGHTS

NETTA and its logo including images and contents in this manual and website is copyrighted. All intellectual property rights belong to NETTA owner CONSUMABLE DIRECT LIMITED.

ANY UNAUTHORISED USE, MODIFICATION or DISTRIBUTION of the NETTA logo, website image, and its contents (from website, manuals) will violate worldwide copyright, trademark, and associated laws.

We reserve the right to proceed with lawsuits to anyone who is found breaching our copyrights policy. For more details, please check our website copyright policy for more information.

PRODUCT DEPENDENCY CODE (PDC)

Your PDC is below:

PDC:
M0E-19ET-410/460/510
SKU: 103398

NETTA is a registered trademark of CONSUMABLE DIRECT LIMITED.
Product Produced for CONSUMABLE DIRECT LIMITED M32 0JT U.K.