



UniversalRotak

34-400 | 34-405 | 37-550 | 37-555 | 37-570

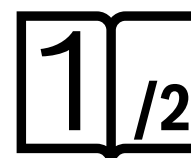
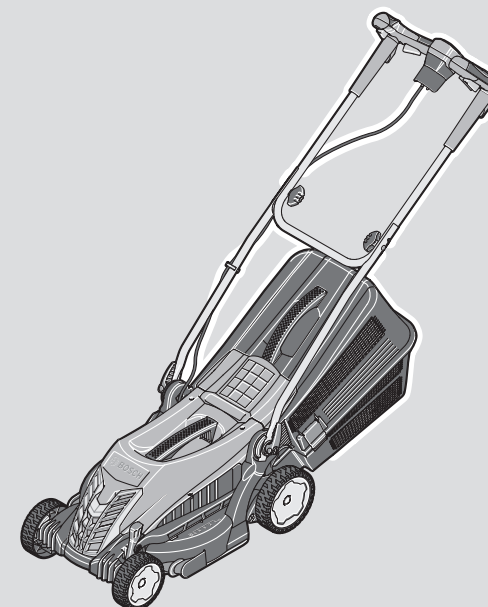
Robert Bosch Power Tools GmbH
70538 Stuttgart
GERMANY

www.bosch-pt.com

F 016 L94 593 (2024.08) 0 / 215



F 016 L94 593



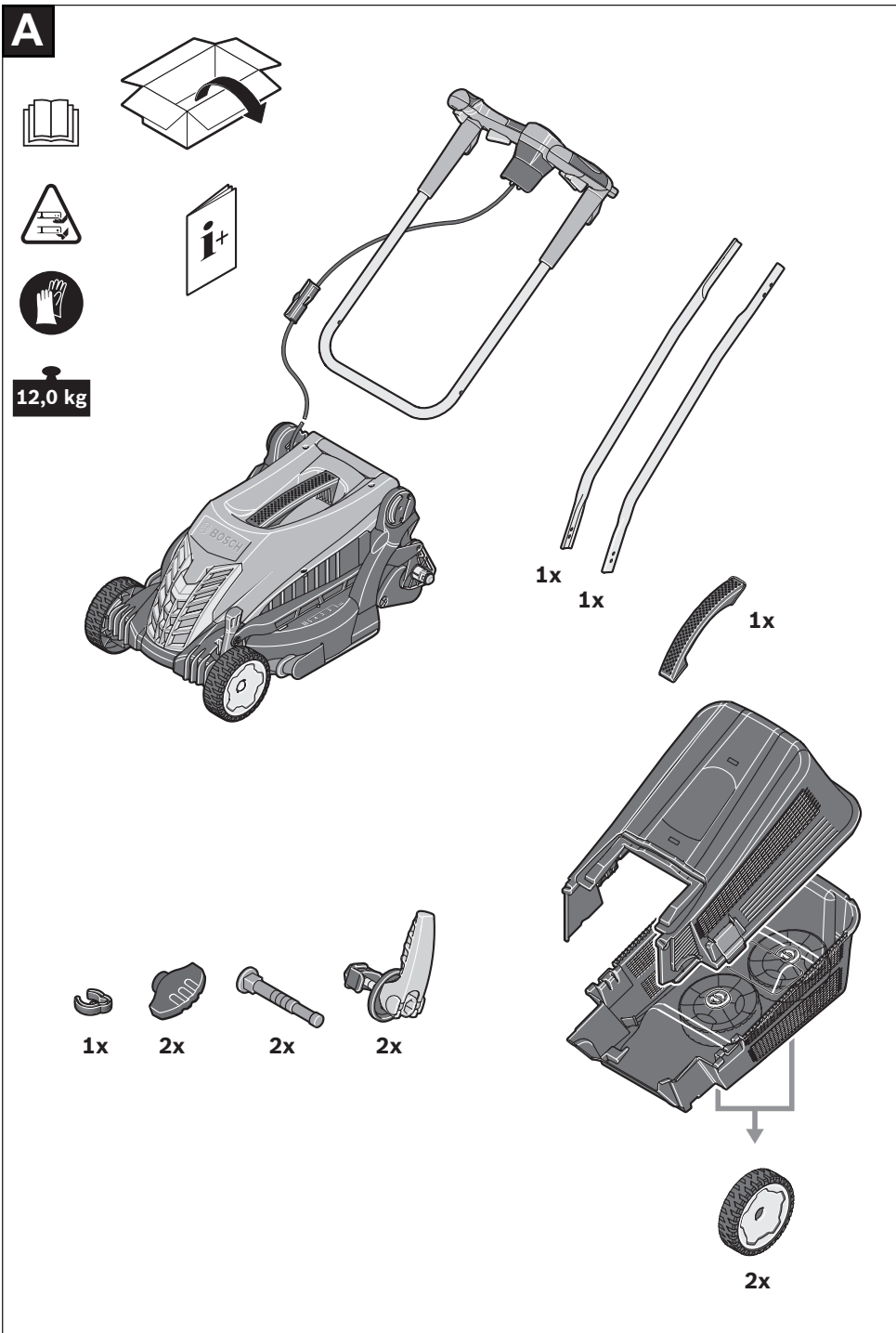
- | | | |
|--|--|---------------------------------------|
| de Originalbetriebsanleitung | pl Instrukcja oryginalna | sr Originalno uputstvo za rad |
| en Original instructions | cs Původní návod k používání | sl Izvirna navodila |
| fr Notice originale | sk Pôvodný návod na použitie | hr Originalne upute za rad |
| es Manual original | hu Eredeti használati utasítás | et Algupärane kasutusjuhend |
| pt Manual original | ru Оригинальное руководство по эксплуатации | lv Instrukcijas oriģinālvalodā |
| it Istruzioni originali | uk Оригінальна інструкція з експлуатації | lt Originali instrukcija |
| nl Oorspronkelijke gebruiksaanwijzing | kk Пайдалану нұсқаулығының түпнұсқасы | ar دليل التشغيل الأصلي |
| da Original brugsanvisning | ro Instrucțiuni originale | fa دفترچه راهنمای اصلی |
| sv Bruksanvisning i original | bg Оригинална инструкция | |
| no Original driftsinstruks | mk Оригинално упатство за работа | |
| fi Alkuperäiset ohjeet | | |
| el Πρωτότυπο οδηγιών χρήσης | | |
| tr Orijinal işletme talimatı | | |



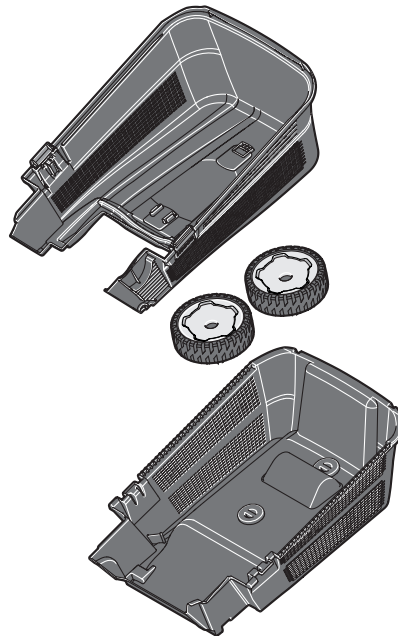
Deutsch	Seite	10
English	Page	17
Français	Page	23
Español	Página	30
Portugués	Página	36
Italiano	Página	43
Nederlands	Página	49
Dansk	Side	56
Svensk	Sidan	62
Norsk	Side	68
Suomi	Sivu	74
Ελληνικά	Σελίδα	80
Türkçe	Sayfa	87
Polski	Strona	94
Čeština	Stránka	101
Slovenčina	Stránka	107
Magyar	Oldal	113
Русский	Страница	120
Українська	Сторінка	128
Қазақ	Бет	135
Română	Pagina	144
Български	Страница	151
Македонски	Страница	158
Srpski	Strana	165
Slovenščina	Stran	171
Hrvatski	Stranica	177
Eesti	Lehekülg	183
Latviešu	Lappuse	189
Lietuvių k.	Puslapis	196
عربي	الصفحة	203
فارسی	صفحه	209

CE / UK
CA

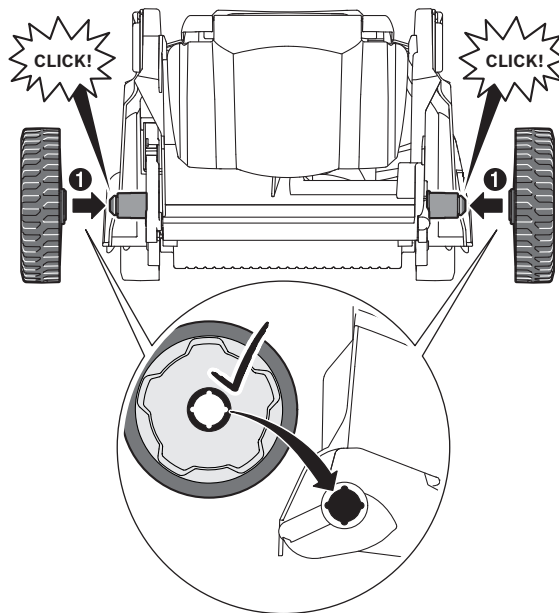
2/2



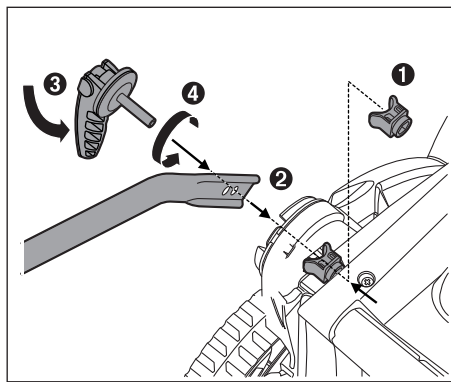
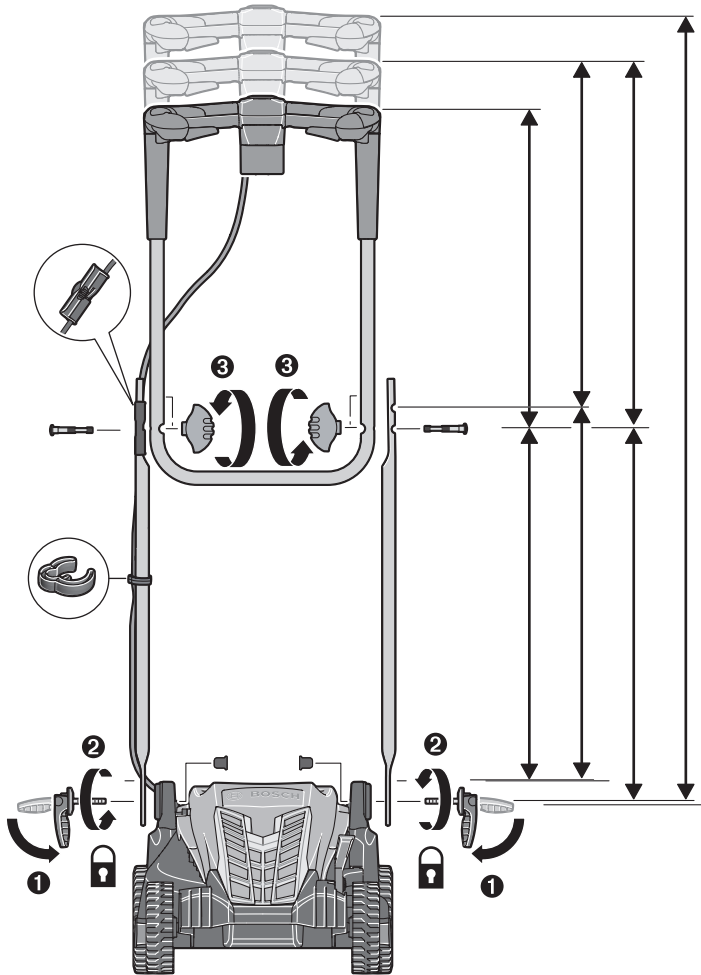
B

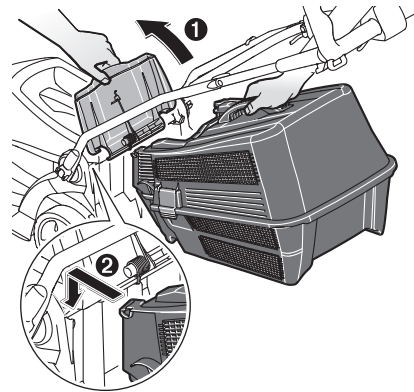
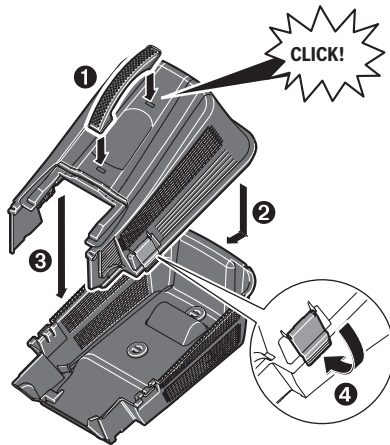
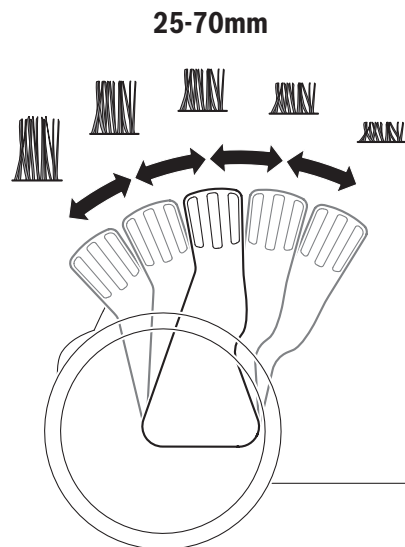
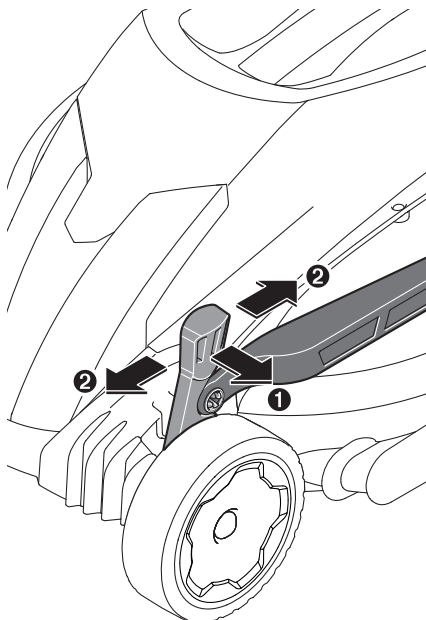


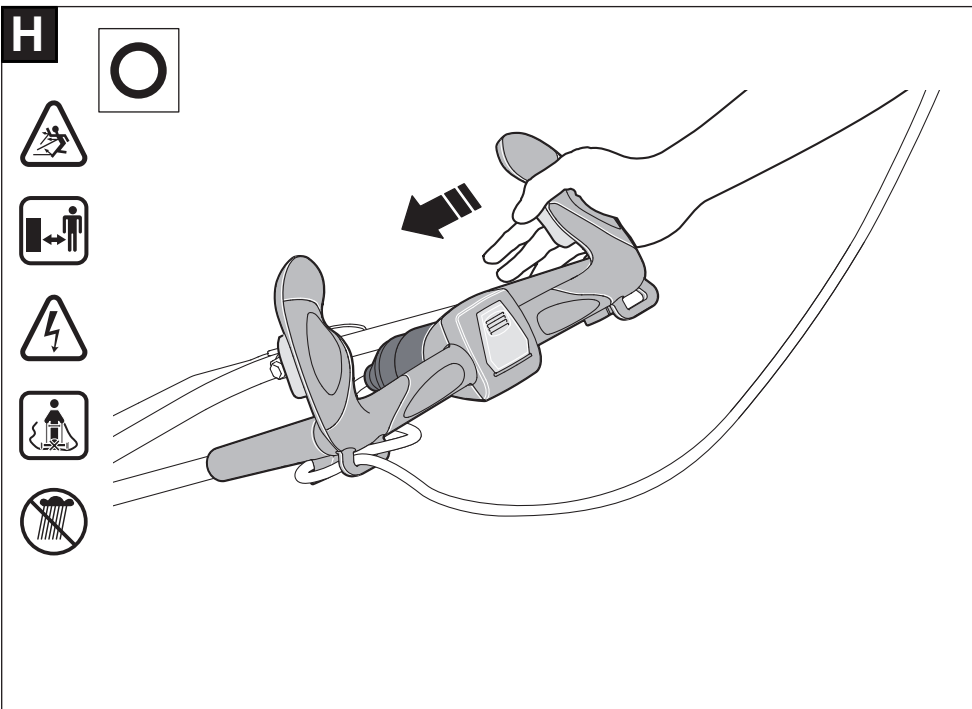
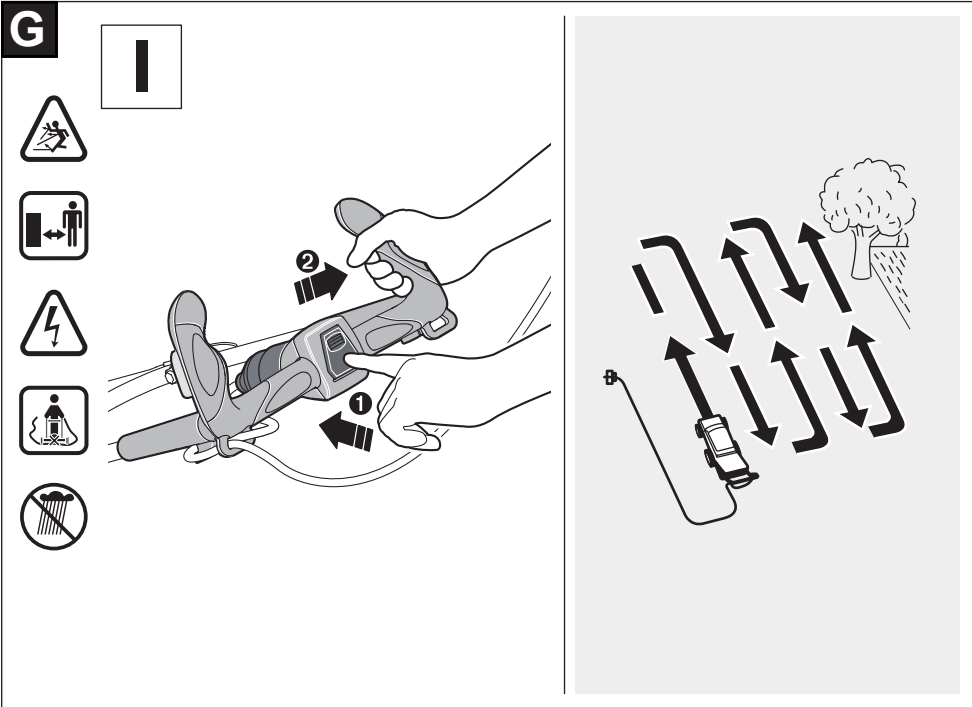
C



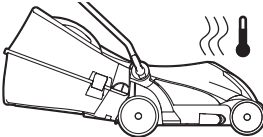

D



E**F**



I



Auto-Stop + 60 sec = Start

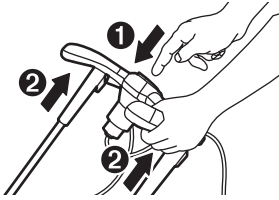



Diagram I illustrates the Auto-Stop feature. It shows a mower with a temperature indicator (thermometer icon) above it. Below this, the text reads "Auto-Stop + 60 sec = Start", followed by a clock icon with an arrow pointing to the right, indicating a 60-second delay. At the bottom, a hand is shown operating the controls, with numbered arrows (1 and 2) indicating the correct sequence of actions.

J




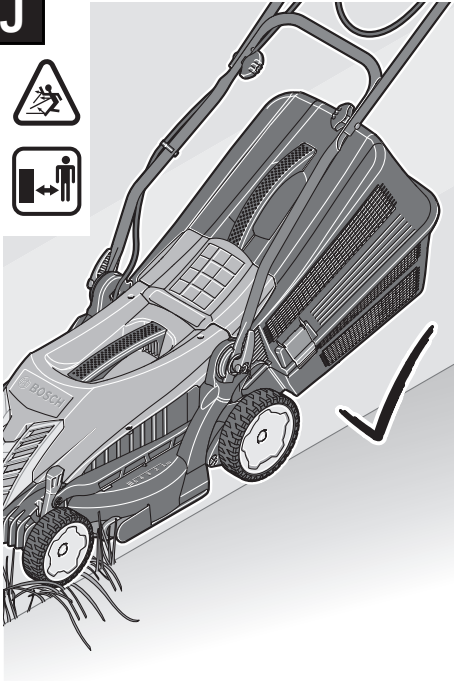

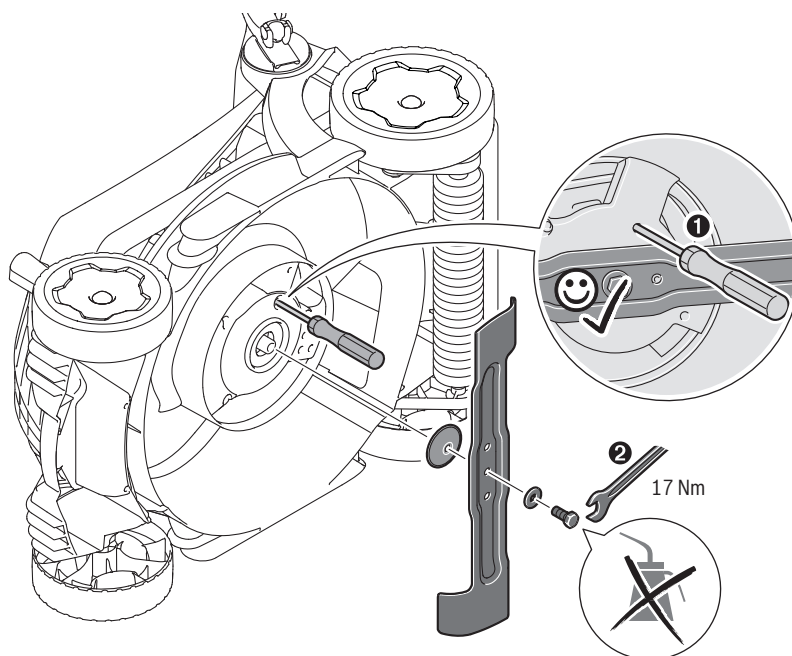
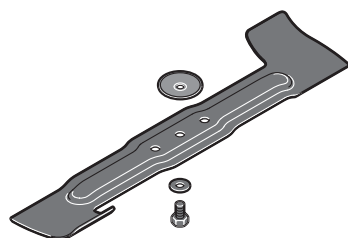


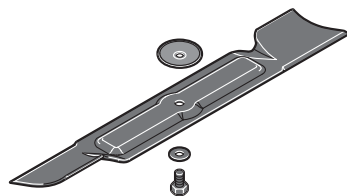
Diagram J illustrates safety warnings. On the left, a mower is shown with a checkmark, indicating correct operation. On the right, three panels show incorrect operation with a large 'X' and a warning triangle:

- Top panel: Mower tilted back.
- Middle panel: Mower tilted forward.
- Bottom panel: Mower tilted to the side.

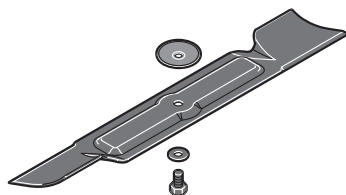
The safety icons on the left include a person falling and a person with a mower, indicating the risk of injury from improper use.

K**L**

UniversalRotak 34-400
UniversalRotak 34-405
 F 016 800 370



UniversalRotak 37-550
UniversalRotak 37-555
 F 016 800 343



UniversalRotak 37-570
 F 016 800 378

English

Safety Notes

Explanation of symbols – lawnmower



General hazard safety alert.



Read instruction manual.



Make sure that bystanders are not injured by foreign objects being thrown away.



WARNING: Keep bystanders away.



WARNING: Keep hands and feet away from the blades.



Not applicable.



Not applicable.



WARNING: Pull the mains plug before any maintenance or if the cord is damaged.



Wait until all machine components have completely stopped before touching them. The blades continue to rotate after the machine is switched off, a rotating blade can cause injury.



Do not expose to rain.



Beware electric shock hazard.



WARNING: Keep the power cord away from the blades.



Do not use a high-pressure washer or a garden hose to clean the machine.



Carefully check the area where the tool is to be used for wildlife and pets. Wildlife and pets may be injured while the machine is in operation. Thoroughly check the working area and remove any stones, sticks, wires, bones and foreign objects. When using the machine, ensure that no wildlife, pets or small tree stumps are hidden in the dense grass.

General Power Tool Safety Warnings

⚠ WARNING Read all safety warnings, instructions, illustrations and specifications provided with this power tool. Failure to follow all instructions listed below may result in electric shock, fire and/or serious injury.

Save all warnings and instructions for future reference.

The term "power tool" in the warnings refers to your mains-operated (corded) power tool or battery-operated (cordless) power tool.

Work area safety

- ▶ **Keep work area clean and well lit.** Cluttered or dark areas invite accidents.
- ▶ **Do not operate power tools in explosive atmospheres, such as in the presence of flammable liquids, gases or dust.** Power tools create sparks which may ignite the dust or fumes.
- ▶ **Keep children and bystanders away while operating a power tool.** Distractions can cause you to lose control.

Electrical safety

- ▶ **Power tool plugs must match the outlet. Never modify the plug in any way. Do not use any adapter plugs with earthed (grounded) power tools.** Unmodified plugs and matching outlets will reduce risk of electric shock.
- ▶ **Avoid body contact with earthed or grounded surfaces, such as pipes, radiators, ranges and refrigerators.** There is an increased risk of electric shock if your body is earthed or grounded.
- ▶ **Do not expose power tools to rain or wet conditions.** Water entering a power tool will increase the risk of electric shock.
- ▶ **Do not abuse the cord. Never use the cord for carrying, pulling or unplugging the power tool. Keep cord away from heat, oil, sharp edges or moving parts.** Damaged or entangled cords increase the risk of electric shock.
- ▶ **When operating a power tool outdoors, use an extension cord suitable for outdoor use.** Use of a cord suitable for outdoor use reduces the risk of electric shock.
- ▶ **If operating a power tool in a damp location is unavoidable, use a residual current device (RCD) protected supply.** Use of an RCD reduces the risk of electric shock.

Personal safety

- ▶ **Stay alert, watch what you are doing and use common sense when operating a power tool. Do not use a power tool while you are tired or under the influence**

of drugs, alcohol or medication. A moment of inattention while operating power tools may result in serious personal injury.

- ▶ **Use personal protective equipment. Always wear eye protection.** Protective equipment such as a dust mask, non-skid safety shoes, hard hat or hearing protection used for appropriate conditions will reduce personal injuries.
- ▶ **Prevent unintentional starting. Ensure the switch is in the off-position before connecting to power source and/or battery pack, picking up or carrying the tool.** Carrying power tools with your finger on the switch or energising power tools that have the switch on invites accidents.
- ▶ **Remove any adjusting key or wrench before turning the power tool on.** A wrench or a key left attached to a rotating part of the power tool may result in personal injury.
- ▶ **Do not overreach. Keep proper footing and balance at all times.** This enables better control of the power tool in unexpected situations.
- ▶ **Dress properly. Do not wear loose clothing or jewellery. Keep your hair and clothing away from moving parts.** Loose clothes, jewellery or long hair can be caught in moving parts.
- ▶ **If devices are provided for the connection of dust extraction and collection facilities, ensure these are connected and properly used.** Use of dust collection can reduce dust-related hazards.
- ▶ **Do not let familiarity gained from frequent use of tools allow you to become complacent and ignore tool safety principles.** A careless action can cause severe injury within a fraction of a second.

Power tool use and care

- ▶ **Do not force the power tool. Use the correct power tool for your application.** The correct power tool will do the job better and safer at the rate for which it was designed.
- ▶ **Do not use the power tool if the switch does not turn it on and off.** Any power tool that cannot be controlled with the switch is dangerous and must be repaired.
- ▶ **Disconnect the plug from the power source and/or remove the battery pack, if detachable, from the power tool before making any adjustments, changing accessories, or storing power tools.** Such preventive safety measures reduce the risk of starting the power tool accidentally.
- ▶ **Store idle power tools out of the reach of children and do not allow persons unfamiliar with the power tool or these instructions to operate the power tool.** Power tools are dangerous in the hands of untrained users.
- ▶ **Maintain power tools and accessories. Check for misalignment or binding of moving parts, breakage of parts and any other condition that may affect the power tool's operation. If damaged, have the power**

tool repaired before use. Many accidents are caused by poorly maintained power tools.

- ▶ **Keep cutting tools sharp and clean.** Properly maintained cutting tools with sharp cutting edges are less likely to bind and are easier to control.
- ▶ **Use the power tool, accessories and tool bits etc. in accordance with these instructions, taking into account the working conditions and the work to be performed.** Use of the power tool for operations different from those intended could result in a hazardous situation.
- ▶ **Keep handles and grasping surfaces dry, clean and free from oil and grease.** Slippery handles and grasping surfaces do not allow for safe handling and control of the tool in unexpected situations.

Service

- ▶ **Have your power tool serviced by a qualified repair person using only identical replacement parts.** This will ensure that the safety of the power tool is maintained.

Lawnmower safety warnings

- ▶ **Do not use the lawnmower in bad weather conditions, especially when there is a risk of lightning.** This decreases the risk of being struck by lightning.
- ▶ **Thoroughly inspect the area for wildlife where the lawnmower is to be used.** Wildlife may be injured by the lawnmower during operation.
- ▶ **Thoroughly inspect the area where the lawnmower is to be used and remove all stones, sticks, wires, bones, and other foreign objects.** Thrown objects can cause personal injury.
- ▶ **Before using the lawnmower, always visually inspect to see that the blade and the blade assembly are not worn or damaged.** Worn or damaged parts increase the risk of injury.
- ▶ **Before use, check the supply cord and any extension cord for signs of damage or aging. Do not use the lawnmower if the cord is damaged or worn. If the cord is damaged or worn during use, switch off the lawnmower and do not touch the cord before disconnecting it from the supply.** A damaged supply cord or extension cord may result in electric shock, fire and/or serious injury.
- ▶ **Check the grass catcher frequently for wear or deterioration.** A worn or damaged grass catcher may increase the risk of personal injury.
- ▶ **Keep guards in place. Guards must be in working order and be properly mounted.** A guard that is loose, damaged, or is not functioning correctly may result in personal injury.
- ▶ **Keep all cooling air inlets clear of debris.** Blocked air inlets and debris may result in overheating or risk of fire.
- ▶ **While operating the lawnmower, always wear non-slip and protective footwear. Do not operate the lawnmower when barefoot or wearing open sandals.** This reduces the chance of injury to the feet from contact with the moving blade.

- ▶ **While operating the lawnmower, always wear long trousers.** Exposed skin increases the likelihood of injury from thrown objects.
 - ▶ **Do not operate the lawnmower in wet grass. Walk, never run.** This reduces the risk of slipping and falling which may result in personal injury.
 - ▶ **Do not operate the lawnmower on excessively steep slopes.** This reduces the risk of loss of control, slipping and falling which may result in personal injury.
 - ▶ **When working on slopes, always be sure of your footing, always work across the face of slopes, never up or down and exercise extreme caution when changing direction.** This reduces the risk of loss of control, slipping and falling which may result in personal injury.
 - ▶ **Use extreme caution when reversing or pulling the lawnmower towards you. Always be aware of your surroundings.** This reduces the risk of tripping during operation.
 - ▶ **Keep the supply cord away from the cutting blades.** A damaged supply cord may result in electric shock, fire and/or serious injury.
 - ▶ **Switch off and remove plug from mains if the cord is entangled or damaged.** Entangled or damaged cords can increase the risk of electric shock.
 - ▶ **Do not touch blades and other hazardous moving parts while they are still in motion.** This reduces the risk of injury from moving parts.
 - ▶ **When clearing jammed material or cleaning the lawnmower, make sure all power switches are off and the power cord is disconnected.** Unexpected operation of the lawnmower may result in serious personal injury.
- ▶ Do not tilt the machine when starting or switching on the motor.
 - ▶ Switch on the motor according to the instructions with feet well away from rotating parts.
 - ▶ Do not put hands or feet near or under rotating parts.
 - ▶ Always stand clear of the discharge zone when operating the machine.
 - ▶ Never pick up or carry the machine while the motor is running.
 - ▶ When storing, make sure that all 4 wheels of the garden tool stand on the ground/floor.
 - ▶ Only lift the garden tool with the carrying handle. Use the carrying handle with care.
 - ▶ **Do not modify the product.** Unauthorized modifications may impair the safety of your product and may result in increased noise and vibration.

Electrical Safety



Warning: Switch off, remove plug from mains before adjusting, cleaning or if cable is cut, damaged or entangled.

Your machine is double insulated for safety and requires no earth connection. The operating voltage is 230 V AC, 50 Hz (for non-EU countries 220 V, 240 V 50 Hz) Contact your Bosch Service Centre for details. If in doubt contact a qualified electrician or the nearest Bosch Service Centre.

For increased electrical safety use a Residual Current Device (RCD) with a tripping current of not more than 30 mA. Always check your RCD every time you use it.

Keep the supply cables away from moving hazardous parts and avoid damage to the cables; this can lead to contact with live parts.

The connections (plugs and sockets) should be kept dry and off the ground.

The supply cables must be inspected for signs of damage at regular intervals and may only be used if in perfect condition.

If the supply cable on the product is damaged, it must only be replaced by a Bosch Service Centre. Only use approved extension cables.

Use only extension cords, cables, leads, cable reels that comply with EN 61242/IEC 61242 or IEC 60884-2-7.

If you want to use an extension cable when operating your product, only the following cable dimensions should be used:

- Nominal conductor area of 1.25 mm² or 1.5 mm²
- Maximum length 30 m for a Cord Extension Set or maximum length of 60 m for a Cable Reel with Residual Current Device (RCD).

Note: If an extension cable is used it must be earthed and connected through the plug to the earth cable of your supply network in accordance with prescribed safety regulations.



WARNING: Inadequate extension cables can be dangerous. Extension cable, plug and socket must be of watertight construction and intended for outdoor use.

Additional safety warnings

- ▶ **This tool contains magnets – keep away from implants and other medical devices, e.g. pacemaker or insulin pumps, magnetic storage media and magnetically sensitive devices.** The magnet generates a field that can impair the function of the devices or lead to irreversible data loss.
- ▶ When adjusting the machine, make sure not to pinch your fingers between the moving blades and fixed parts of the machine.
- ▶ Check the product for damage if it hits a hard object or in case of excessive vibration.
- ▶ Always allow the product to cool down before storing.
- ▶ Empty the grassbox before storing.

Operation

- ▶ We would advise you to wear ear protection for your own convenience.
- ▶ Wait until the blades stop if the machine has to be tilted for transportation when crossing surfaces other than grass and when transporting the machine to and from the area to be mowed.

Products sold in GB only:

Your product is fitted with an BS 1363/A approved electric plug with internal fuse (ASTA approved to BS 1362).





If the plug is not suitable for your socket outlets, it should be cut off and an appropriate plug fitted in its place by an authorised customer service agent. The replacement plug should have the same fuse rating as the original plug.

The severed plug must be disposed of to avoid a possible shock hazard and should never be inserted into a mains socket elsewhere.

- **Products that are only sold in AUS and NZ:** Use a residual current device (RCD) with a nominal residual current of 30 mA or less.

Symbols

The following symbols are important for reading and understanding the original instructions. Please take note of the symbols and their meaning. The correct interpretation of the symbols will help you to use the product in a better and safer manner.






Symbol	Meaning
	Movement direction
	Reaction direction
	Wear protective gloves
	Weight

Technical Data

Lawnmower	UniversalRotak 34-400 UniversalRotak 34-405		UniversalRotak 37-550 UniversalRotak 37-555 UniversalRotak 37-570	
	3 600 HA6 1..		3 600 HA6 2..	
Article number				
Rated power input		W	1 300	1 400
Cutting Width		cm	34	37
Height of cut		mm	25 - 70	25 - 70
Grassbox capacity		l	40	40
Weight according to IEC 62841-1 / IEC 62841-4-3		kg	12.5	13
Serial number			see type plate on the garden product	see type plate on the garden product
Protection class			□ / II	□ / II

The specifications apply to a rated voltage [U] of 230 V. These specifications may vary at different voltages and in country-specific models.

When switching on power tools with starting current limitation, the voltage drops briefly. Interference with other equipment may occur in the event of unfavourable conditions in the electricity supply. Malfunctions are not expected if the impedances in the electricity supply are below 0.36 ohms.

Symbol	Meaning
	Switching on
	Switching off
	Permitted action
	Prohibited action
CLICK!	Audible noise
	Accessories/Spare Parts

Product Description and Specifications

Read all safety warnings and all instructions. Failure to follow the safety warnings and instructions may result in electric shock, fire and/or serious injury.

Please observe the illustrations at the beginning of this operating manual.

Intended Use

The garden product is intended for domestic lawn mowing.

The garden product is not intended for hedge cutting, trimming, shredding, etc.

The garden product is intended for lawn mowing at ground level.

Noise/Vibration Information

3 600 HA6 1..

3 600 HA6 2..

Typically the A-weighted noise levels of the product are:

Noise emission values determined according to **EN IEC 62841-4-3:2021+A11:2021**

– Sound pressure level	dB(A)	80	75
– Sound power level	dB(A)	91	88
– Uncertainty K	dB	= 0.8	= 1.5

Vibration total values ah (triax vector sum) and uncertainty K determined according to **EN IEC 62841-4-3:2021+A11:2021**

– Vibration emission value a_h	m/s^2	< 2.5	< 2.5
– Uncertainty K	m/s^2	= 1.5	= 1.5

The declared vibration total value(s) and the declared noise emission value(s) have been measured in accordance with a standard test method and may be used for comparing one machine with another.

The declared vibration total value(s) and the declared noise emission value(s) may also be used in a preliminary assessment of exposure.

The vibration and noise emissions during actual use of the machine can differ from the declared total value depending on the ways in which the machine is used; and of the need to identify safety measures to protect the operator that are based on an estimation of exposure in the actual conditions of use (taking account of all parts of the operating cycle such as the times when the machine is switched off and when it is running idle in addition to the trigger time).

Action	Figure	Page
Assembling the grassbox	E	6
Grassbox fitting/removing	E	6
Adjusting cutting height	F	6
Starting	G	7
Stopping	H	7
Working Advice	I – J	8
Blade Maintenance	K	9
Selecting Accessories	L	9

A) **This accessory is not part of the standard scope of delivery.**

Mounting and Operation

Action	Figure	Page
Delivery scope ^{A)}	A	3
Wheel assembly	B – C	4
Handle assembly	D	5

Troubleshooting



Problem	Possible Cause	Corrective Action
Motor refuses to start	Power turned off	Turn power on
	Mains socket faulty	Use another socket
	Extension cable damaged	Inspect cable, replace if damaged
	Fuse faulty/blown	Replace fuse
	Possible clogging	Check underneath the garden product and clear out as necessary (always wear protective gloves)
	Motor protector has activated	Allow motor to cool and increase height of cut
Garden tool functions intermittently	Mowing too low for the conditions	Increase height of cut
	Extension cable damaged	Inspect cable, replace if damaged
	Internal wiring of machine damaged	Contact Service Agent

Starting Operation

For Your Safety

- ▶ **Before any work on the product, disconnect supply cord from the mains.**
- ▶ **The blade continues to rotate for a few seconds after the machine is switched off.**
- ▶ **Caution: Do not touch the rotating blade.**

Problem	Possible Cause	Corrective Action
	Motor protector has activated	Allow motor to cool and increase height of cut
Machine leaves ragged finish and/or Motor labours	Height of cut too low	Increase height of cut
	Cutting blade blunt	Replace the blade
	Possible clogging	Check underneath the garden product and clear out as necessary (always wear protective gloves)
	Blade fitted upside down	Refit blade correctly
Blade not rotating while garden product switched on	Cutting blade obstructed	Switch garden tool off Clear obstruction (always wear protective gloves)
	Blade nut/bolt loose	Tighten blade nut/bolt (17 Nm) (see figure K)
Excessive vibrations/noise	Blade nut/bolt loose	Tighten blade nut/bolt (17 Nm) (see figure K)
	Cutting blade damaged	Replace the blade (see figure K)

Maintenance and Service

Maintenance, Cleaning and Storage

- **Before any work on the product, disconnect supply cord from the mains.**
- **For safe and proper working, always keep the product clean.**

Do not place other objects on the garden product.

To ensure safe and efficient operation, always keep the product and the ventilation slots clean.

Never spray the product with water.

Never immerse the product in water.

Store the product in a secure, dry place, out of the reach of children.

Do not place other objects on the product.

Keep all nuts, bolts and screws tight to ensure safe working with the product.

Inspect the product and replace worn or damaged parts for safety.

Ensure replacement parts fitted are Bosch-approved.

When storing, make sure that all 4 wheels of the garden tool stand on the ground/floor.

Do not modify this product. Unauthorized modifications may impair the safety of your product and may result in increased risk of injury.

After-Sales Service and Application Service

Our after-sales service responds to your questions concerning maintenance and repair of your product as well as spare parts. You can find explosion drawings and information on spare parts at: **www.bosch-pt.com**

The Bosch product use advice team will be happy to help you with any questions about our products and their accessories.

In all correspondence and spare parts orders, please always include the 10-digit article number given on the nameplate of the product.

Great Britain

Robert Bosch Ltd. (B.S.C.)

P.O. Box 98

Broadwater Park

North Orbital Road

Denham Uxbridge

UB 9 5HJ

At www.bosch-pt.co.uk you can order spare parts or arrange the collection of a product in need of servicing or repair.

Tel. Service: (0344) 7360109

E-Mail: boschservicecentre@bosch.com

You can find further service addresses at:

www.bosch-pt.com/serviceaddresses

Disposal

The product, accessories and packaging should be sorted for environmental-friendly recycling..



Do not dispose of products into household waste!

Only for EU countries:

According to the European Directive 2012/19/EU on Waste Electrical and Electronic Equipment and its implementation into national law, power tools that are no longer usable must be collected separately and disposed of in an environmentally friendly manner.

If disposed incorrectly, waste electrical and electronic equipment may have harmful effects on the environment and human health, due to the potential presence of hazardous substances.

Only for United Kingdom:

According to The Waste Electrical and Electronic Equipment Regulations 2013 (SI 2013/3113) (as amended), products that are no longer usable must be collected separately and disposed of in an environmentally friendly manner.

Français

Consignes de sécurité

Explication des symboles - tondeuse



Indications générales sur d'éventuels dangers.



Lire soigneusement ces instructions d'utilisation.



Prendre les précautions nécessaires pour que les personnes se trouvant à proximité ne risquent pas d'être blessées par des projections provenant de l'outil.



AVERTISSEMENT : Veiller à éloigner toute personne de l'appareil.



AVERTISSEMENT : Maintenir les mains et les pieds éloignés des lames.



Non applicable



Non applicable.



AVERTISSEMENT : Avant d'effectuer des travaux d'entretien ou lorsque le câble est endommagé, retirer la fiche de secteur de la prise de courant.



Attendez l'arrêt total de tous les éléments de l'outil de jardin avant de les toucher. Après la mise hors tension de l'outil de jardin, les lames continuent à tourner, pouvant ainsi provoquer des blessures.



Ne pas utiliser par temps de pluie.



Protégez-vous contre les chocs électriques.



AVERTISSEMENT : Maintenir la fiche de secteur à distance des lames.



N'utilisez pas de nettoyeur haute pression ni de tuyau d'arrosage pour nettoyer l'outil de jardin.



Assurez-vous qu'il n'y ait pas d'animaux sauvages ou domestiques dans la zone dans laquelle l'outil de jardin doit être utilisé. Les animaux sauvages ou domestiques peuvent être blessés pendant l'utilisation de la machine. Contrôlez soigneusement la zone d'utilisation de la machine et retirez pierres, bâtons, fils, os et corps étrangers. Lors de l'utilisation de la machine, assurez-vous qu'aucun animal sauvage ou domestique, ni des petits troncs d'arbre ne soient cachés dans l'herbe épaisse.

Avertissements de sécurité généraux pour l'outil électrique

4 AVERTISSEMENT Lire tous les avertissements de sécurité, les instructions, les illustrations et les spécifications fournies avec cet outil électrique.

Ne pas suivre les instructions énumérées ci-dessous peut provoquer un choc électrique, un incendie et/ou une blessure sérieuse.

Conservé tous les avertissements et toutes les instructions pour pouvoir s'y reporter ultérieurement.

Le terme "outil électrique" dans les avertissements fait référence à votre outil électrique alimenté par le secteur (avec cordon d'alimentation) ou votre outil électrique fonctionnant sur batterie (sans cordon d'alimentation).

Sécurité de la zone de travail

► Conserver la zone de travail propre et bien éclairée.

Les zones en désordre ou sombres sont propices aux accidents.

► Ne pas faire fonctionner les outils électriques en atmosphère explosive, par exemple en présence de liquides inflammables, de gaz ou de poussières.

Les outils électriques produisent des étincelles qui peuvent enflammer les poussières ou les fumées.

► Maintenir les enfants et les personnes présentes à l'écart pendant l'utilisation de l'outil électrique.

Les distractions peuvent vous faire perdre le contrôle de l'outil.

Sécurité électrique

► Il faut que les fiches de l'outil électrique soient adaptées au socle. Ne jamais modifier la fiche de quelque façon que ce soit. Ne pas utiliser d'adaptateurs avec des outils électriques à branchement de terre.

Des fiches non modifiées et des socles adaptés réduisent le risque de choc électrique.

► Éviter tout contact du corps avec des surfaces reliées à la terre telles que les tuyaux, les radiateurs, les cuisinières et les réfrigérateurs.

Il existe un risque accru de choc électrique si votre corps est relié à la terre.

► Ne pas exposer les outils électriques à la pluie ou à des conditions humides.

La pénétration d'eau à l'intérieur d'un outil électrique augmente le risque de choc électrique.

► Ne pas maltraiter le cordon. Ne jamais utiliser le cordon pour porter, tirer ou débrancher l'outil électrique. Maintenir le cordon à l'écart de la chaleur, du lubri-

fiant, des arêtes vives ou des parties en mouvement.

Des cordons endommagés ou emmêlés augmentent le risque de choc électrique.

- ▶ **Lorsqu'on utilise un outil électrique à l'extérieur, utiliser un prolongateur adapté à l'utilisation extérieure.** L'utilisation d'un cordon adapté à l'utilisation extérieure réduit le risque de choc électrique.
- ▶ **Si l'usage d'un outil électrique dans un emplacement humide est inévitable, utiliser une alimentation protégée par un dispositif à courant différentiel résiduel (RCD).** L'usage d'un RCD réduit le risque de choc électrique.

Sécurité des personnes

- ▶ **Rester vigilant, regarder ce que vous êtes en train de faire et faire preuve de bon sens dans votre utilisation de l'outil électrique. Ne pas utiliser un outil électrique lorsque vous êtes fatigué ou sous l'emprise de drogues, de l'alcool ou de médicaments.** Un moment d'inattention en cours d'utilisation d'un outil électrique peut entraîner des blessures graves.
- ▶ **Utiliser un équipement de protection individuelle. Toujours porter une protection pour les yeux.** Les équipements de protection individuelle tels que les masques contre les poussières, les chaussures de sécurité antidérapantes, les casques ou les protections auditives utilisés pour les conditions appropriées réduisent les blessures.
- ▶ **Éviter tout démarrage intempestif. S'assurer que l'interrupteur est en position arrêt avant de brancher l'outil au secteur et/ou au bloc de batteries, de le ramasser ou de le porter.** Porter les outils électriques en ayant le doigt sur l'interrupteur ou brancher des outils électriques dont l'interrupteur est en position marche est source d'accidents.
- ▶ **Retirer toute clé de réglage avant de mettre l'outil électrique en marche.** Une clé laissée fixée sur une partie tournante de l'outil électrique peut donner lieu à des blessures.
- ▶ **Ne pas se précipiter. Garder une position et un équilibre adaptés à tout moment.** Cela permet un meilleur contrôle de l'outil électrique dans des situations inattendues.
- ▶ **S'habiller de manière adaptée. Ne pas porter de vêtements amples ou de bijoux. Garder les cheveux et les vêtements à distance des parties en mouvement.** Des vêtements amples, des bijoux ou les cheveux longs peuvent être pris dans des parties en mouvement.
- ▶ **Si des dispositifs sont fournis pour le raccordement d'équipements pour l'extraction et la récupération des poussières, s'assurer qu'ils sont connectés et correctement utilisés.** Utiliser des collecteurs de poussière peut réduire les risques dus aux poussières.
- ▶ **Rester vigilant et ne pas négliger les principes de sécurité de l'outil sous prétexte que vous avez l'habitude de l'utiliser.** Une fraction de seconde d'inattention peut provoquer une blessure grave.

Utilisation et entretien de l'outil électrique

- ▶ **Ne pas forcer l'outil électrique. Utiliser l'outil électrique adapté à votre application.** L'outil électrique adapté réalise mieux le travail et de manière plus sûre au régime pour lequel il a été construit.
- ▶ **Ne pas utiliser l'outil électrique si l'interrupteur ne permet pas de passer de l'état de marche à arrêt et inversement.** Tout outil électrique qui ne peut pas être commandé par l'interrupteur est dangereux et il faut le réparer.
- ▶ **Débrancher la fiche de la source d'alimentation et/ou enlever le bloc de batteries, s'il est amovible, avant tout réglage, changement d'accessoires ou avant de ranger l'outil électrique.** De telles mesures de sécurité préventives réduisent le risque de démarrage accidentel de l'outil électrique.
- ▶ **Conserver les outils électriques à l'arrêt hors de la portée des enfants et ne pas permettre à des personnes ne connaissant pas l'outil électrique ou les présentes instructions de le faire fonctionner.** Les outils électriques sont dangereux entre les mains d'utilisateurs novices.
- ▶ **Observer la maintenance des outils électriques et des accessoires. Vérifier qu'il n'y a pas de mauvais alignement ou de blocage des parties mobiles, des pièces cassées ou toute autre condition pouvant affecter le fonctionnement de l'outil électrique. En cas de dommages, faire réparer l'outil électrique avant de l'utiliser.** De nombreux accidents sont dus à des outils électriques mal entretenus.
- ▶ **Garder affûtés et propres les outils permettant de couper.** Des outils destinés à couper correctement entretenus avec des pièces coupantes tranchantes sont moins susceptibles de bloquer et sont plus faciles à contrôler.
- ▶ **Utiliser l'outil électrique, les accessoires et les lames etc., conformément à ces instructions, en tenant compte des conditions de travail et du travail à réaliser.** L'utilisation de l'outil électrique pour des opérations différentes de celles prévues peut donner lieu à des situations dangereuses.
- ▶ **Il faut que les poignées et les surfaces de préhension restent sèches, propres et dépourvues d'huiles et de graisses.** Des poignées et des surfaces de préhension glissantes rendent impossibles la manipulation et le contrôle en toute sécurité de l'outil dans les situations inattendues.

Maintenance et entretien

- ▶ **Faire entretenir l'outil électrique par un réparateur qualifié utilisant uniquement des pièces de rechange identiques.** Cela assure le maintien de la sécurité de l'outil électrique.

Avertissements de sécurité pour la tondeuse à gazon

- ▶ **Ne pas utiliser la tondeuse à gazon dans des conditions météorologiques défavorables, notamment en cas de risque de foudre.** Cette disposition diminue le risque de foudroiement.
- ▶ **Examiner attentivement la zone dans laquelle la tondeuse à gazon doit être utilisée pour détecter la présence éventuelle de la faune.** La faune peut être blessée par la tondeuse à gazon en fonctionnement.
- ▶ **Examiner attentivement la zone dans laquelle la tondeuse à gazon doit être utilisée et retirer toutes les pierres, ainsi que tous les bâtons, fils et câbles, os et autres corps étrangers.** La projection d'objets peut provoquer des blessures ou lésions.
- ▶ **Avant toute utilisation de la tondeuse à gazon, la soumettre toujours à un examen visuel afin de déterminer que la lame et l'assemblage de lames ne sont pas usés ou endommagés.** Les parties usées ou endommagées augmentent le risque de blessure ou lésion.
- ▶ **Avant toute utilisation, examiner le câble d'alimentation et tout prolongateur pour détecter les signes de dommage ou de vieillissement. Ne pas utiliser la tondeuse à gazon en cas d'endommagement ou d'usure du câble. En cas d'endommagement ou d'usure du câble en cours d'utilisation, arrêter la tondeuse à gazon et ne pas toucher le câble avant de le déconnecter.** Un câble d'alimentation ou un prolongateur endommagé peut entraîner un choc électrique, un incendie et/ou une blessure ou lésion grave.
- ▶ **Examiner fréquemment le bac de ramassage pour détecter toute usure ou détérioration.** Un bac de ramassage usé ou endommagé peut augmenter le risque de blessure ou lésion.
- ▶ **Laisser les protecteurs en place. Les protecteurs doivent être en état de fonctionnement et montés correctement.** Un protecteur desserré, endommagé ou ne fonctionnant pas correctement peut entraîner des blessures ou lésions.
- ▶ **Maintenir toutes les entrées d'air de refroidissement exemptes de débris.** Les entrées d'air bloquées et les débris peuvent provoquer une surchauffe ou un risque d'incendie.
- ▶ **Porter toujours des chaussures de protection antidérapantes lors de l'utilisation de la tondeuse à gazon. Ne pas utiliser la tondeuse à gazon pieds nus ou en portant des sandales ouvertes.** Cette disposition réduit la possibilité de blessures ou lésions aux pieds dues à un contact avec la lame en mouvement.
- ▶ **Porter toujours des pantalons longs lors de l'utilisation de la tondeuse à gazon.** L'exposition de la peau augmente la probabilité de blessures ou lésions dues à la projection d'objets.
- ▶ **Ne pas utiliser la tondeuse à gazon sur de l'herbe humide. Marcher, ne jamais courir.** Cette disposition ré-

duit le risque de glissade et de chute qui peut entraîner des blessures ou lésions.

- ▶ **Ne pas utiliser la tondeuse à gazon sur des pentes trop abruptes.** Cette disposition réduit le risque de perte de contrôle, de glissade et de chute qui peut entraîner des blessures ou lésions.
- ▶ **Lors de l'utilisation de la tondeuse à gazon sur des pentes, veiller toujours à l'appui au sol, faire toujours fonctionner la tondeuse à gazon face à la pente, jamais vers le haut ou vers le bas, et changer de direction avec la plus grande attention.** Cette disposition réduit le risque de perte de contrôle, de glissade et de chute qui peut entraîner des blessures ou lésions.
- ▶ **Changer de direction ou tirer la tondeuse à gazon vers soi avec la plus grande attention. Veiller toujours à son environnement proche.** Cette disposition réduit le risque de trébucher lors du fonctionnement de la tondeuse à gazon.
- ▶ **Maintenir le câble d'alimentation à distance des lames de coupe.** Un câble d'alimentation endommagé peut entraîner un choc électrique, un incendie et/ou une blessure ou lésion grave.
- ▶ **Arrêter la tondeuse à gazon et débrancher la prise du secteur en cas d'enchevêtrement ou d'endommagement du câble.** Des câbles enchevêtrés ou endommagés peuvent augmenter le risque de choc électrique.
- ▶ **Ne pas toucher les lames et autres parties mobiles dangereuses encore en mouvement.** Cette disposition réduit le risque de blessures ou lésions dues à des parties mobiles.
- ▶ **Lors de l'élimination des bourrages ou du nettoyage de la tondeuse à gazon, vérifier que tous les interrupteurs de puissance sont éteints et que le cordon d'alimentation est débranché.** Un fonctionnement inattendu de la tondeuse à gazon peut entraîner des blessures ou lésions graves.

Avertissements supplémentaires

- ▶ **Cet appareil contient des aimants - Ne pas placer l'aimant à proximité d'implants ou d'autres appareils médicaux, tels que des stimulateurs cardiaques ou des pompes à insuline, des supports de données magnétiques et des appareils sensibles aux champs magnétiques.** L'aimant génère un champ magnétique qui peut entraver le fonctionnement des appareils médicaux ou entraîner une perte de données irréversible.
- ▶ Lors du réglage de l'appareil, veiller à ne pas se coincer les doigts entre les lames mobiles et les parties fixes de la machine.
- ▶ Contrôler le produit pour détecter des dommages s'il heurte un objet dur ou s'il produit des vibrations excessives.
- ▶ Laisser toujours refroidir le produit avant de le stocker.
- ▶ Vider le sac de ramassage avant de le ranger.

Utilisation

- ▶ Pour votre propre protection, nous vous recommandons de porter une protection acoustique.
- ▶ Les lames doivent être totalement à l'arrêt quand vous devez incliner l'outil de jardin pour le transporter, quand vous traversez des surfaces autres que le gazon ou quand vous transportez l'outil de jardin entre deux surfaces à tondre.
- ▶ N'inclinez pas l'outil de jardin lors du démarrage ou lorsque vous mettez le moteur en marche.
- ▶ Mettez l'outil de jardin en marche conformément aux instructions du mode d'emploi et veillez à maintenir les pieds largement à l'écart des parties en rotation.
- ▶ Tenez les pieds et les mains éloignés des parties rotatives de l'outil de jardin.
- ▶ Gardez une distance suffisante par rapport à la zone d'éjection lorsque vous travaillez avec l'outil de jardin.
- ▶ Ne soulevez ni transportez jamais l'outil de jardin pendant que le moteur est en marche.
- ▶ Faites attention lors du stockage à ce que les 4 roues de l'outil de jardin soient au sol.
- ▶ Ne soulevez l'outil de jardin que par la poignée. Maniez la poignée avec prudence.
- ▶ **N'effectuez aucune modification sur le produit.** Des modifications non autorisées peuvent s'avérer préjudiciables à la sécurité de votre produit et conduiront à une augmentation des émissions de bruit et des vibrations.

Sécurité électrique



Attention ! Avant d'effectuer des travaux de maintenance ou de nettoyage, arrêter l'appareil et débrancher la fiche de la prise de courant. Ceci vaut également lorsque le câble électrique est endommagé, coupé ou emmêlé.

Pour des raisons de sécurité, l'outil de jardin est équipé d'une double isolation et ne nécessite pas de prise de terre. La tension de fonctionnement est de 230 V CA, 50 Hz (pour les pays hors de l'Union européenne 220 V ou 240 V 50 Hz). N'utiliser qu'une rallonge électrique homologuée. Pour plus de renseignements, contacter le service après-vente autorisé.

Pour plus de sécurité, utilisez un disjoncteur différentiel avec un courant de défaut de 30 mA maximum. Avant chaque utilisation de la machine, contrôler ce disjoncteur différentiel

Maintenir les câbles d'alimentation et les câbles de rallonge éloignés des pièces en rotation et éviter d'endommager les câbles afin d'éviter tout contact avec des parties sous tension.

Les connexions de câble (fiche et prises de courant) doivent être sèches et ne pas reposer sur le sol.

Contrôler régulièrement les câbles d'alimentation et les rallonges afin de détecter des dommages éventuels. Ils ne doivent être utilisés que s'ils sont en bon état.

Si le câble d'alimentation de l'outil est endommagé, il ne doit être réparé que dans un atelier agréé Bosch. N'utiliser que des rallonges électriques homologuées.

N'utiliser que des rallonges, conduites ou dévidoirs qui correspondent aux normes EN 61242 / IEC 61242 ou IEC 60884-2-7.

Au cas où une rallonge devrait être utilisée pour travailler avec l'outil, les sections de conducteur suivantes sont nécessaires :

- section de conducteur 1,25 mm² ou 1,5 mm²
- Longueur maximale 30 m pour une rallonge ou 60 m pour des dévidoirs avec dispositif à courant différentiel résiduel

Remarque : Au cas où une rallonge devrait être utilisée, celle-ci doit disposer, conformément à la description figurant dans les instructions de sécurité, d'un câble de protection de terre raccordé à la terre de l'installation électrique par l'intermédiaire de la fiche.



PRECAUTION : Des rallonges non conformes aux instructions peuvent être dangereuses. Les versions de câble de rallonge, fiche et accouplement doivent être étanches à l'eau et autorisées pour une utilisation à l'extérieur.

Symboles

Les symboles suivants sont importants pour pouvoir lire et mieux comprendre le mode d'emploi. Mémoriser ces symboles et leur signification. L'interprétation correcte des symboles vous permettra de mieux utiliser l'outil en toute sécurité.

Symbole	Signification
	Direction de déplacement
	Direction de réaction
	Portez des gants de protection
	Poids
	Mise en marche
	Arrêt
	Action autorisée
	Interdit
	Bruit audible
	Accessoires/pièces de rechange

Description et performances du produit



Lire toutes les consignes de sécurité et instructions. Le non-respect de ces consignes de sécurité et instructions peut entraîner un choc électrique, un incendie et/ou de graves blessures.

Veillez tenir compte des illustrations dans la partie avant de la notice d'utilisation.

Utilisation conforme

L'outil de jardin est conçu pour tondre le gazon dans le domaine privé.

L'appareil n'est pas conçu pour tailler les haies ni pour couper les bordures, broyer des déchets de jardin, etc.

L'outil de jardin est conçu pour tondre le gazon au niveau du sol.

Caractéristiques techniques

Tondeuse	UniversalRotak 34-400 UniversalRotak 34-405		UniversalRotak 37-550 UniversalRotak 37-555 UniversalRotak 37-570	
			3 600 HA6 1..	3 600 HA6 2..
Numéro d'article				
Puissance nominale absorbée	W	1300	1400	
Largeur de coupe	cm	34	37	
Hauteur de coupe	mm	25 - 70	25 - 70	
Volume, sac de ramassage	l	40	40	
Poids suivant IEC 62841-1 / IEC 62841-4-3	kg	12,5	13	
Numéro de série		voir plaque signalétique sur l'outil de jardin	voir plaque signalétique sur l'outil de jardin	
Classe de protection		□ / II	□ / II	

Les données indiquées sont valables pour une tension nominale [U] de 230 V. Elles peuvent varier lorsque la tension diffère de cette valeur et sur certaines versions destinées à certains pays.

Les processus de mise en fonctionnement provoquent des baisses de tension momentanées. En cas de conditions de secteur défavorables, il peut y avoir des répercussions sur d'autres appareils. Par des impédances de secteur inférieures à 0,36 ohm, les perturbations ne sont pas probables.

Niveau sonore et vibrations

	3 600 HA6 1..	3 600 HA6 2..
--	---------------	---------------

Les mesures réelles (A) des niveaux sonores typiques de l'appareil sont :

Valeurs d'émissions acoustiques déterminées conformément à **EN IEC 62841-4-3:2021+A11:2021**

– Niveau de pression acoustique	dB(A)	80	75
– Niveau d'intensité acoustique	dB(A)	91	88
– Incertitude K	dB	= 0,8	= 1,5

Valeurs totales des vibrations ah (somme vectorielle des trois axes directionnels) et incertitude K relevées conformément à **EN IEC 62841-4-3:2021+A11:2021**

– Valeur d'émission vibratoire a_h	m/s ²	< 2,5	< 2,5
– Incertitude K	m/s ²	= 1,5	= 1,5

La / les valeur(s) totale(s) des vibrations déclarée(s) et la / les valeur(s) d'émission sonore déclarée(s) ont été mesurées selon une procédure de test standardisée et peuvent être utilisées pour comparer un outil électrique avec un autre.

La / les valeurs totales des vibrations et la / les valeurs d'émission sonore déclarées peuvent également être utilisées pour une estimation préliminaire de l'exposition.

Les émissions des vibrations et de bruit pendant l'utilisation réelle de l'outil électroportatif peuvent différer des valeurs déclarées, en fonction de la manière dont l'outil électroportatif est utilisé, en particulier du type de pièce à usiner ; il est nécessaire de définir des mesures de sécurité pour la protection de l'opérateur sur la base d'une estimation de l'exposition aux vibrations dans les conditions réelles d'utilisation (en tenant compte de toutes les parties du cycle de fonctionnement, par exemple les périodes où l'outil électroportatif

est arrêté et les périodes où il est mis en marche mais fonctionne sans charge).

Montage et mise en service

Objectif	Figure	Page
Contenu de la livraison ^{A)}	A	3
Montage de roues	B – C	4
Montage des guidons	D	5
Assembler le sac de ramassage	E	6
Monter/retirer le sac de ramassage	E	6
Régler la hauteur de coupe	F	6
Mise en marche	G	7
Arrêt	H	7

Objectif	Figure	Page
Instructions d'utilisation	I – J	8
Entretien des lames	K	9
Sélection des accessoires	L	9

A) Ces accessoires ne sont pas compris dans la fourniture.

Mise en fonctionnement

Pour votre sécurité

- ▶ Avant d'effectuer des travaux sur le produit, retirez la fiche de la prise de courant.
- ▶ Une fois l'outil de jardin mis hors tension, les lames continuent encore à tourner pendant quelques secondes.
- ▶ Attention : ne pas toucher la lame en rotation.

Dépistage de défauts



Symptôme	Cause possible	Remède
Le moteur ne démarre pas	Pas de tension de secteur	Vérifier et mettre en fonctionnement
	Prise secteur défectueuse	Utiliser une autre prise
	Rallonge endommagée	Vérifier le câble et le remplacer, s'il est endommagé
	Le fusible a sauté	Remplacer le fusible
	Blocages possibles	Le cas échéant, contrôler la face inférieure de l'outil de jardin et la dégager si nécessaire (toujours porter des gants de jardin)
	Le dispositif de protection de surcharge s'est activé	Laisser refroidir le moteur et régler sur une hauteur de coupe plus élevée
	La hauteur de coupe est trop faible pour les conditions actuelles	Régler sur une hauteur de coupe plus élevée
L'outil de jardin fonctionne par intermittence	Rallonge endommagée	Vérifier le câble et le remplacer, s'il est endommagé
	Le câblage interne de l'outil de jardin est défectueux	Contacter le Service Après-Vente
	Le dispositif de protection de surcharge s'est activé	Laisser refroidir le moteur et régler sur une hauteur de coupe plus élevée
L'outil de jardin coupe l'herbe de manière irrégulière et/ou le moteur fonctionne avec difficulté	Hauteur de coupe trop basse	Régler sur une hauteur de coupe plus élevée
	Les lames sont émoussées	Remplacer la lame
	Blocages possibles	Le cas échéant, contrôler la face inférieure de l'outil de jardin et la dégager si nécessaire (toujours porter des gants de jardin)
	Lames montées dans le faux sens	Monter les lames dans le bon sens
La lame ne tourne pas après avoir mis en marche l'outil de jardin	La lame est bloquée par l'herbe	Éteindre l'outil de jardin Enlever l'obturation (toujours porter des gants de jardin)

Symptôme	Cause possible	Remède
	Écrou/vis de la lame desserré	Resserrer l'écrou / la vis de la lame (17 Nm)(voir figure K)
Vibrations / bruits excessifs	Écrou / vis de la lame desserré(e)	Resserrer l'écrou / la vis de la lame (17 Nm)(voir figure K)
	Les lames sont endommagées	Changer les lames (voir figure K)

Entretien et Service Après-Vente

Entretien, nettoyage et stockage

- ▶ **Avant d'effectuer des travaux sur le produit, retirez la fiche de la prise de courant.**
- ▶ **Tenir propre l'outil de jardin afin d'assurer un travail impeccable et en toute sécurité.**

Maintenir le produit ainsi que les ouïes de ventilation toujours propres afin de réaliser un travail impeccable et en toute sécurité.

Veiller à ce que le produit ne soit pas aspergé d'eau.

Veiller à ce que le produit ne soit pas immergé dans l'eau.

Ranger le produit dans un endroit sec et sûr, et hors de portée des enfants.

Ne pas poser d'autres objets sur le produit.

Vérifier si tous les écrous, boulons et vis sont bien serrés pour prévenir tout risque d'accident et garantir un bon fonctionnement du produit.

Contrôler le produit et, pour des raisons de sécurité, remplacer les pièces usées ou endommagées.

Veiller à ce que les pièces de rechange soient des pièces d'origine Bosch. Ne pas modifier l'appareil.

Faites attention lors du stockage à ce que les 4 roues de l'outil de jardin soient au sol.

Ne pas modifier l'appareil. Les modifications non autorisées peuvent compromettre la sécurité de votre produit et augmenter le risque de blessure.

Service Après-Vente et Assistance

Notre Service Après-Vente répond à vos questions concernant la réparation et l'entretien de votre produit et les pièces de rechange. Des vues éclatées ainsi que des informations concernant les pièces de rechange se trouvent également sous : **www.bosch-pt.com**

L'équipe de conseil utilisateurs Bosch se tient à votre disposition pour répondre à vos questions concernant nos produits et leurs accessoires.

Pour toute demande de renseignement ou commande de pièces de rechange, nous préciser impérativement le numéro d'article à dix chiffres indiqué sur la plaque signalétique du produit.

France

Réparer un outil Bosch n'a jamais été aussi simple, et ce, en moins de 5 jours, grâce à SAV DIRECT, notre formulaire de retour en ligne que vous trouverez sur notre site internet www.bosch-pt.fr à la rubrique Services. Vous y trouverez

également notre boutique de pièces détachées en ligne où vous pouvez passer directement vos commandes.

Vous êtes un utilisateur, contactez : Le Service Clientèle Bosch Outillage Electroportatif
Tel. : 09 70 82 12 99 (Numéro non surtaxé au prix d'un appel local)

E-Mail : sav.outillage-electroportatif@fr.bosch.com

Vous êtes un revendeur, contactez :

Robert Bosch (France) S.A.S.

Service Après-Vente Electroportatif

126, rue de Stalingrad

93705 DRANCY Cédex

Tel. : (01) 43119006

E-Mail : sav-bosch.outillage@fr.bosch.com

Vous trouverez d'autres adresses de service sous :

www.bosch-pt.com/serviceadresses

Élimination des déchets

Les outils, ainsi que leurs accessoires et emballages, doivent pouvoir suivre chacun une voie de recyclage appropriée.



Ne pas jeter les outils avec les ordures ménagères !

Seulement pour les pays de l'Union Européenne :

Conformément à la directive européenne 2012/19/UE relative aux déchets d'équipements électriques et électroniques et sa mise en vigueur conformément aux législations nationales, les outils électroportatifs dont on ne peut plus se servir doivent être mis de côté et déposés dans un centre de collecte et de recyclage respectueux de l'environnement.

S'ils ne sont pas éliminés correctement, les déchets d'équipements électriques et électroniques peuvent avoir des effets néfastes sur l'environnement et la santé humaine en raison de la présence éventuelle de substances dangereuses.

Valable uniquement pour la France :



FR
Cet appareil
et ses accessoires
se recyclent



Points de collecte sur www.quefairedemesdechets.fr